

### 2014-2018 Chevrolet & GMC Silverado/Sierra Light Duty Crew Cab and 2015-2019 Silverado/Sierra Heavy Duty Crew Cab *Underseat Storage*

*Fits DU-HA Part Numbers*

10300	10301
10302	10303

#### Installation Instructions:

- 1 Lift up the bottoms of both sides of the back seat.
- 2 Place the large hole of Metal Straps (F) onto the threaded stud under the rear seat on top of the ledge behind the jack and jack tools, secure with 1/2" Nut – 10300 (E), as pictured, on drivers side and passenger side.
- 3 Position the DU-HA (A) under the back seat, with the cut out slots facing towards the truck bed.
- 4 Insert the Metal Straps (F) through the slots in the back of the DU-HA (A).
- 5 Secure each Metal Strap (F) to the DU-HA (A) using the Lynch Pins (D), open the loop on the pin and insert the pin through the small hole on the Metal Strap (F). Once installed flip the loop closed again to secure the pin.
- 6 Install the Foam Organizer / Gun Rack (B) and Plastic Stiffeners (C) by sliding them into the channel slots inside the DU-HA (A), making sure the high side of each piece faces towards the front.
- 7 Lower the bottoms of both sides of the back seat to their original position.

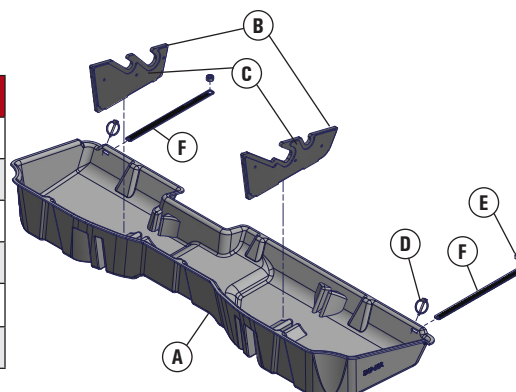


#### Safety Instructions:

**Warning:** Seat bottom must be down at all times while vehicle is moving. Make sure the DU-HA is secured in the vehicle according to installation instructions. Do not store explosives or hazardous materials in the DU-HA. Do not place loaded guns in the DU-HA. For further instructions refer to truck owners manual or contact DU-HA, Inc.



2 shotguns or rifles, 1 with scopes, will fit in the gun rack, as pictured.



Part	Description	Qty
A	DU-HA Storage Unit	1
B	Foam Organizer / Gun Rack	2
C	Plastic Stiffener	2
D	Lynch Pin	2
E	1/2" Nut – 10300	2
F	Metal Strap	2